



EN / AIR CONDITIONING / TECHNICAL DOCUMENTATION

# SPARE PARTS LIST

## BREEZONIC

**This spare parts list is valid for the following engine-independent air-conditioning systems for parked vehicles:**

Designation	Order No.
Breezonic Performance HP White 2.5kW 230V	29.0218.41.0001
Breezonic Performance HP Black 2.5kW 230V	29.0218.41.0007
Breezonic Performance Plus HP White 3.5kW 230V	29.0218.41.0002
Breezonic Performance Plus HP Black 3.5kW 230V	29.0218.41.0009
Air Distribution Box (ADB)	29.0218.11.0001
Return Air Grille (RAG)	29.0218.11.0003

## CONTENTS

### 1 INFORMATION

1.1	General information	3
1.2	Reference documents	3
1.3	Determining the quantity required for the order	3

### 2 BREEZONIC

2.1	Spare parts air conditioning unit	4
2.1.1	Diagram	4
2.1.2	Parts list	5
2.2	Spare parts Air Distribution Box (ADB)	6
2.2.1	Diagram	6
2.2.2	Parts list	7
2.3	Spare parts Return Air Grille (RAG)	8
2.3.1	Diagram	8
2.3.2	Parts list	9

## 1 Information

### 1.1 General information

This document is to be used when ordering spare parts for the air conditioning products listed on the title page, to the exclusion of all liability claims.

Depending on the version or revision status of the air conditioning product, differences may occur compared to this documentation. Please check this before ordering the spare parts and take any possible differences into account.

### 1.2 Reference documents

#### Installation instructions

Describes the function and proper installation and contains all information necessary for safe operation of the air conditioning product.

#### Repair instructions

Contain the necessary information for troubleshooting and for repair of the unit.

### 1.3 Determining the quantity required for the order

The information in the "quantity per unit" and "quantity per SU" (sales unit) columns is used to determine the quantity of a spare part required and the SU (sales units) to be ordered.

#### Quantity per unit

The number in this column indicates how many of the spare parts concerned are installed in the whole unit.

#### Quantity per SU

The number in this column indicates how many of the spare part concerned are contained in one SU (sales unit).

#### Order No. (SU)

The order number refers to the SU.

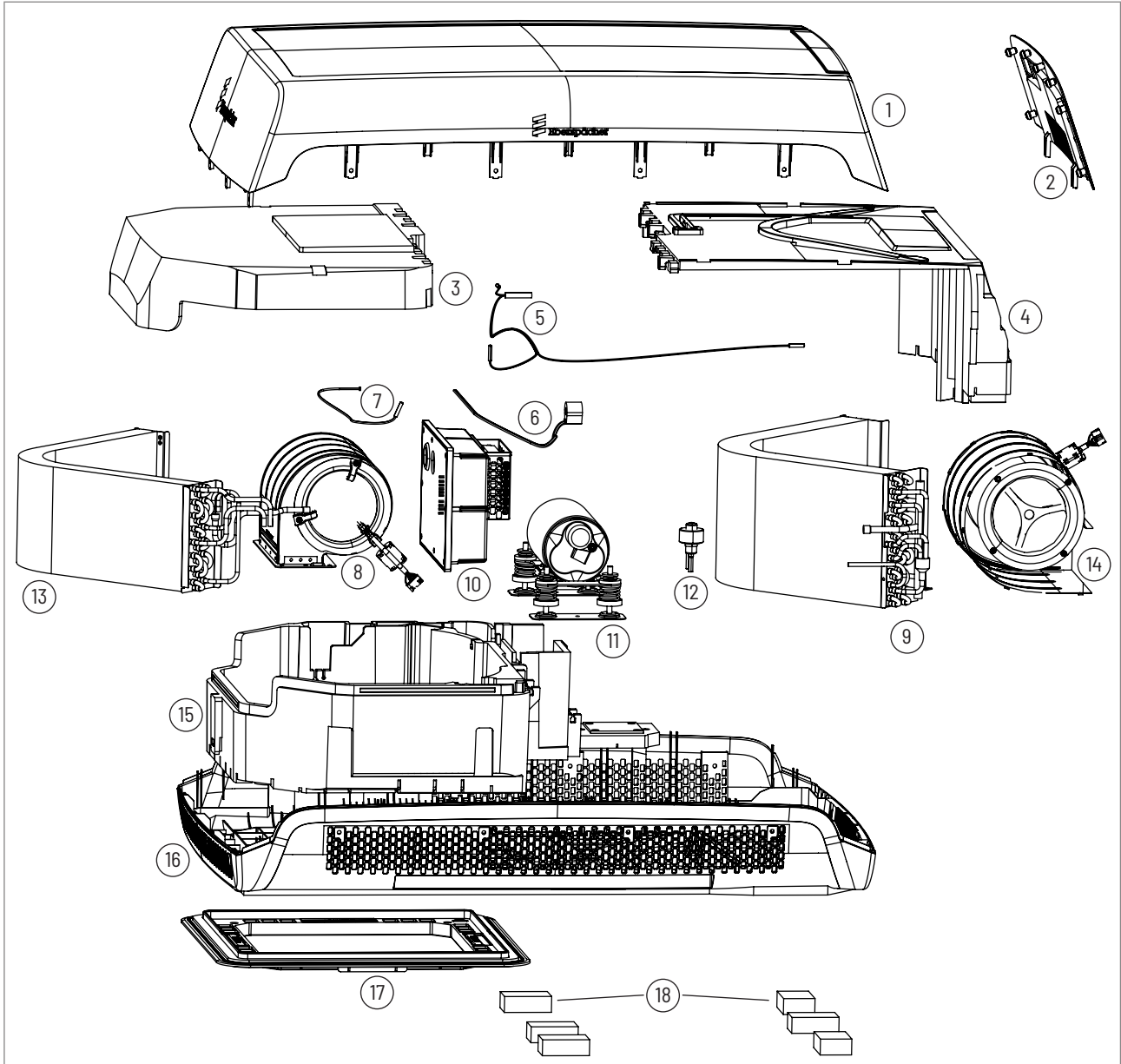
#### NOTE

All sketches of spare parts shown in this document are given as examples. The actual spare parts depend on the hardware version and may differ.

## 2 Breezonic

### 2.1 Spare parts air conditioning unit

#### 2.1.1 Diagram

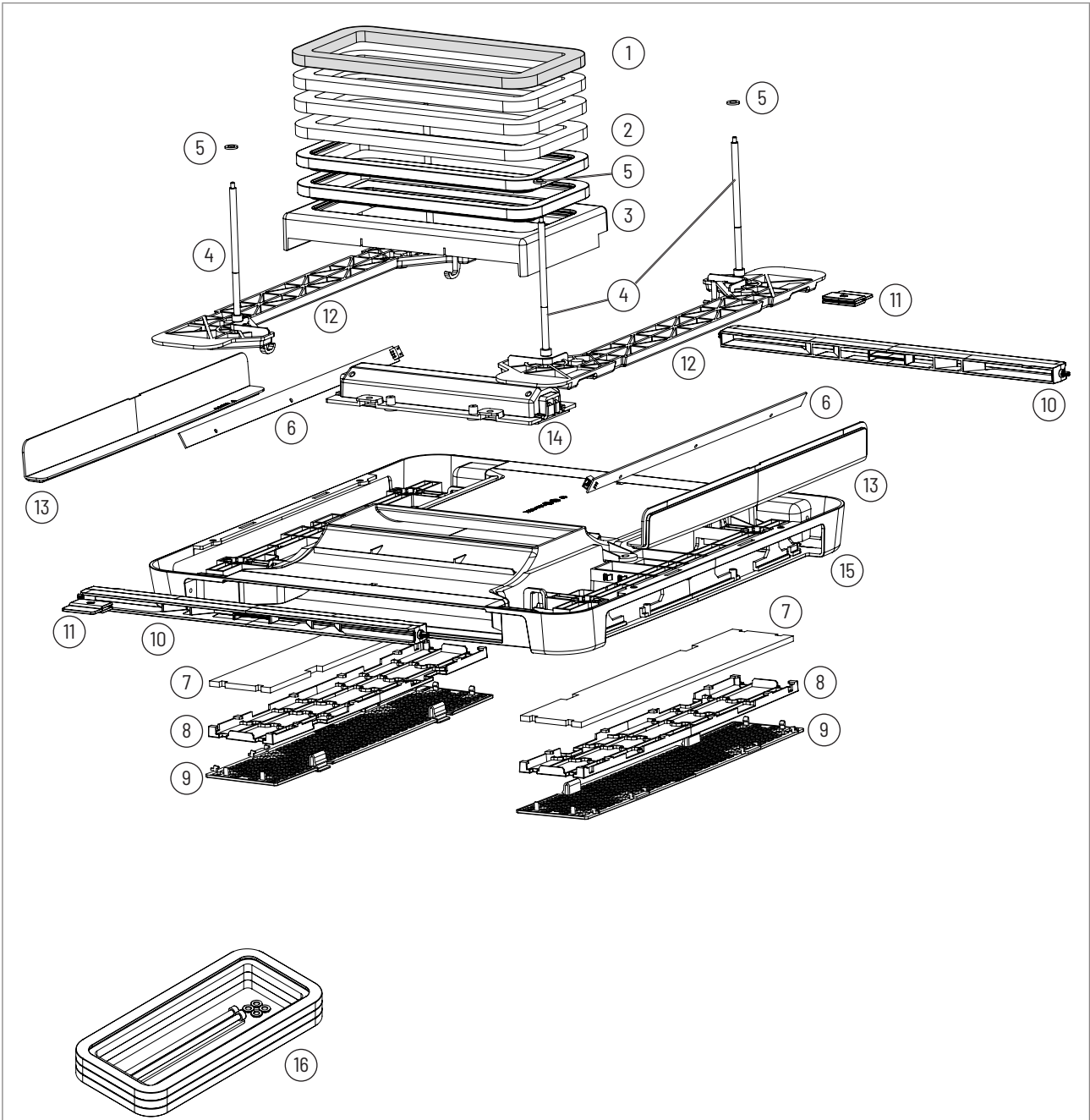


## 2.1.2 Parts list

Item No.	Quantity per unit	Quantity per SU	Designation	Performance	Order No. (SU)	For unit			
						29.0218-41.0001	29.0218-41.0007	29.0218-41.0002	29.0218-41.0009
1	1	1	Shroud cover	White	29.0248.01.0008	•		•	
				Black	29.0248.01.0056		•		•
2	1	1	Shroud rear grille		29.0248.01.0010	•	•	•	•
3	1	1	Evaporator EPP cover		29.0248.01.0013	•	•	•	•
4	1	1	Condenser EPP cover		29.0248.01.0015	•	•	•	•
5	1	1	Thermistor set condenser, evaporator		29.0248.23.0028	•	•	•	•
6	1	1	Electronic device 4-way valve		29.0248.44.0007	•	•	•	•
7	1	1	Thermistor – discharge		29.0248.23.0029	•	•	•	•
8	1	1	Evaporator motor fan		29.0248.26.0003	•	•	•	•
9	1	1	Condenser	2.5 kW	on request	•	•		
				3.5 kW	on request			•	•
10	1	1	Control box	2.5 kW	29.0248.27.0012	•	•		
				3.5 kW	29.0248.27.0002			•	•
11	1	1	Compressor	2.5 kW	on request	•	•		
				3.5 kW	on request			•	•
12	1	1	Electronic expansion valve		29.0248.44.0006	•	•	•	•
13	1	1	Evaporator	2.5 kW	on request	•	•		
				3.5 kW	on request			•	•
14	1	1	Condenser motor fan		29.0248.26.0004	•	•	•	•
15	1	1	Evaporator base		No spare part	•	•	•	•
16	1	1	Bottom cover		No spare part	•	•	•	•
17	1	1	Mid plate assembly		29.0248.03.0007	•	•	•	•
18	6	1	Foam support block		29.0248.02.0008	•	•	•	•

2.2 Spare parts Air Distribution Box (ADB)

2.2.1 Diagram

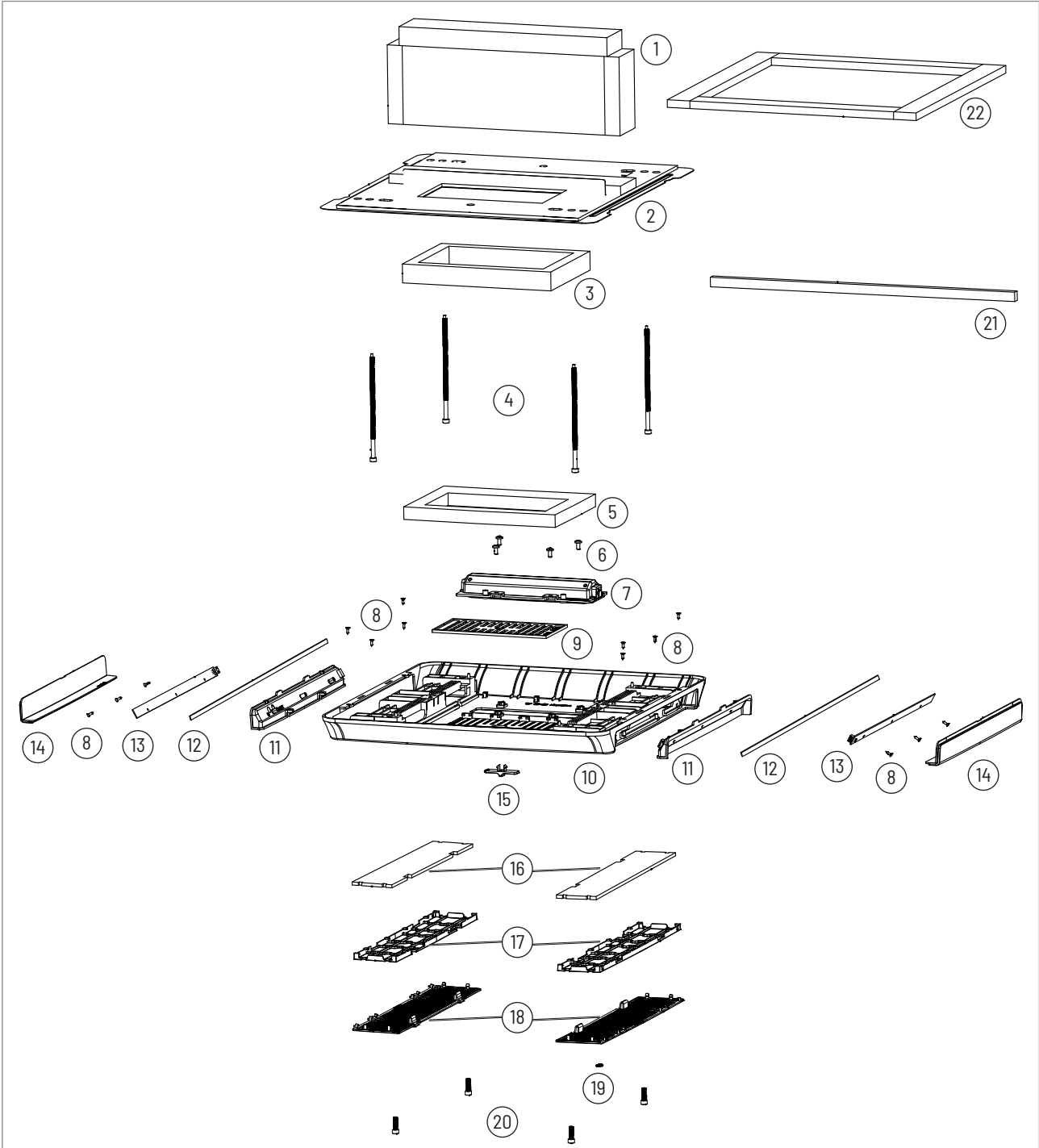


## 2.2.2 Parts list

Item No.	Quantity per unit	Quantity per SU	Designation	Order No. (SU)	For ADB
					29.0218.11.0001
1	1	1	Duct section top	29.0248.02.0025	•
2	5	1	Duct section middle	29.0248.01.0033	•
3	1	1	Duct section base	29.0248.01.0027	•
4	4	1	Installation bolt M6 x 125	29.0248.41.0051	•
5	4	1	Washer for ADB installation	29.0248.41.0068	•
6	1	1	Kit of 2 x LED light strips incl. 1 x cable harness	29.0248.25.0006	•
7	2	1	Foam filter	29.0248.02.0023	•
8	2	1	Mesh filter frame	29.0248.01.0024	•
9	2	1	Return air grille	29.0248.01.0019	•
10	2	1	Blade	29.0248.01.0022	•
11	2	1	Blade handle	29.0248.01.0039	•
12	2	1	Ceiling bracket	29.0248.01.0037	•
13	2	1	Light front cover	29.0248.01.0021	•
14	1	1	Display	29.0248.27.0009	•
15	1	1	ADB frame	No spare part	•
16	1	1	Kit M6 (L = 165 mm) for ADB installation of roof thickness 75 – 100 mm	29.0280.03.0065	•

2.3 Spare parts Return Air Grille (RAG)

2.3.1 Diagram



## 2.3.2 Parts list

Item No.	Quantity per unit	Quantity per SU	Designation	Order No. (SU)	For RAG
					29.0218.11.0003
1	1	1	Foam divider	29.0248.02.0041	•
2	1	1	Installation metal plate	On request	•
3	1	1	Foam gasket	29.0248.02.0042	•
4	4	1	Screw M6 x 220	29.0248.41.0118	•
5	1	1	Insulation foam for interior panel	29.0248.02.0043	•
6	4	1	Screw cross recessed thread-forming pan head M5 x A10	On request	•
7	1	1	Display	29.0248.27.0009	•
8	14	1	Screw cross recessed self-tapping countersunk head ST 2.9 x 9.5	On request	•
9	1	1	Quick cool air grid	29.0248.01.0041	•
10	1	1	Interior panel	On request	•
11	2	1	Light back cover	On request	•
12	2	1	PU foam 3 x 5 x 850 mm with adhesive	On request	•
13	1	1	Kit of 2 x LED light strips incl. 1 x cable harness	29.0248.25.0006	•
14	2	1	Light front cover	29.0248.01.0021	•
15	1	1	Quick cool handle	29.0248.01.0042	•
16	2	1	Foam Filter	29.0248.02.0023	•
17	2	1	Mesh filter frame	29.0248.01.0024	•
18	2	1	Return air grille	29.0248.01.0019	•
19	1	1	GP-accent Blue	On request	•
20	4	1	Cross recessed mushroom screws M5 x 10	On request	•
21	1	1	Sealing foam	29.0248.02.0048	•
22	1	1	Square foam gasket	29.0248.02.0047	•





